

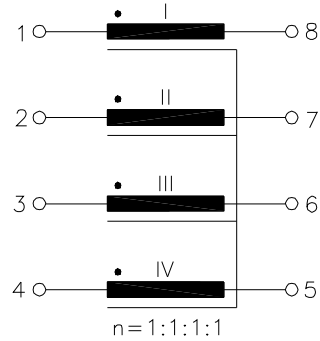
ISDN

UM MODEL NO.:	SPECIFICATION	REV.	
UT21314V-TS	4-Fold Common Mode Choke	A1	05/29

Characteristic data:

$R_I = R_{II} \leq 200m\Omega$
 $I_n = 500mA$
 $T_u(amb) \leq 60^{\circ}C$

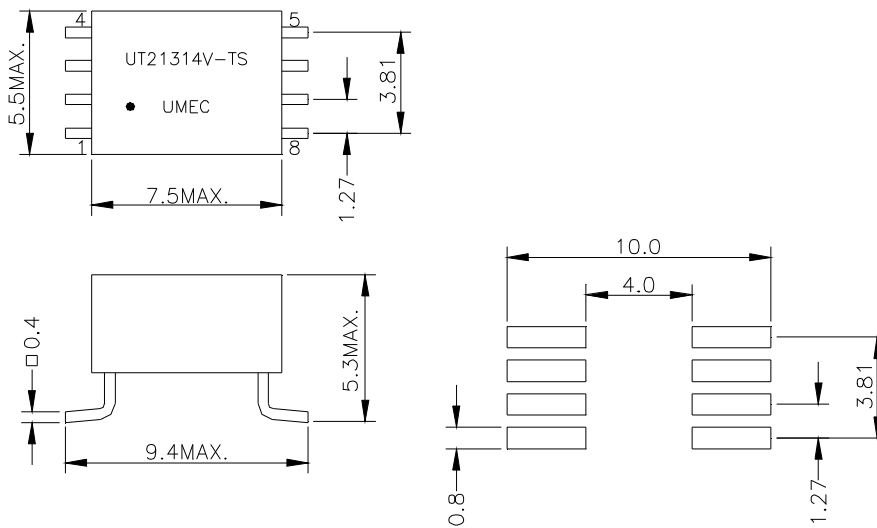
Schematic diagram:



Electrical Specification at 25⁰C:

- 1.) $L \geq 5.0\mu H$, at 10KHz 100mV
- 2.) Polarity and turns ratio tolerance: $\pm 1\%$
- 3.) HI-pot test:
 $U_p = 300V_{rms}, 2s$ (Winding to Winding)

Dimension:



NOTE: 1 Packaging Information: Tape and Reel according to Item NO. "K5SA" OF DATA SHEET 01-00"

2. For RoHS compliant products:

- a.) The UMEC ordering code: **TG-UT21314V-TS**
- b.) Date Code suffix to "G" (xxxxG).
- c.) Solder : Sn/Ag/Cu .

3. Specifications are subject to change without prior notice

UNIT: mm

Tolerances: $\pm 0.2mm$

E10-013-C



UNIVERSAL MICROELECTRONICS CO.,LTD.
 TEL:886-4-23590096 FAX:886-4-23590129
<http://www.umec-web.com> E-mail:business@umec.com.tw

3,27TH RD.,TAICHUNG INDUSTRIAL PARK,
 TAICHUNG,TAIWAN,R.O.C